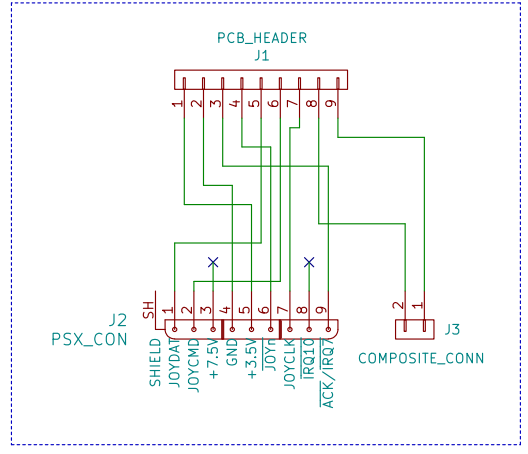


Connection between G-CON PCB and PSX connector / Composite connector



Nicolas Lopez Fernandez (pyroesp)	
Special Thanks to: - Martin Korth : http://problemkaputt.de/psx-spx.htm	
Sheet: / File: G-CON 45.sch	
Title: G-CON 45 schematic	
Size: A4	Date: 11/07/2017
KiCad E.D.A. kicad no-vcs-found-413008358ubuntu16.04.1	Rev: v1.0
	Id: 1/1